

Attention Teams:

This drawing package represents critical dimensions needed during the robot design process.

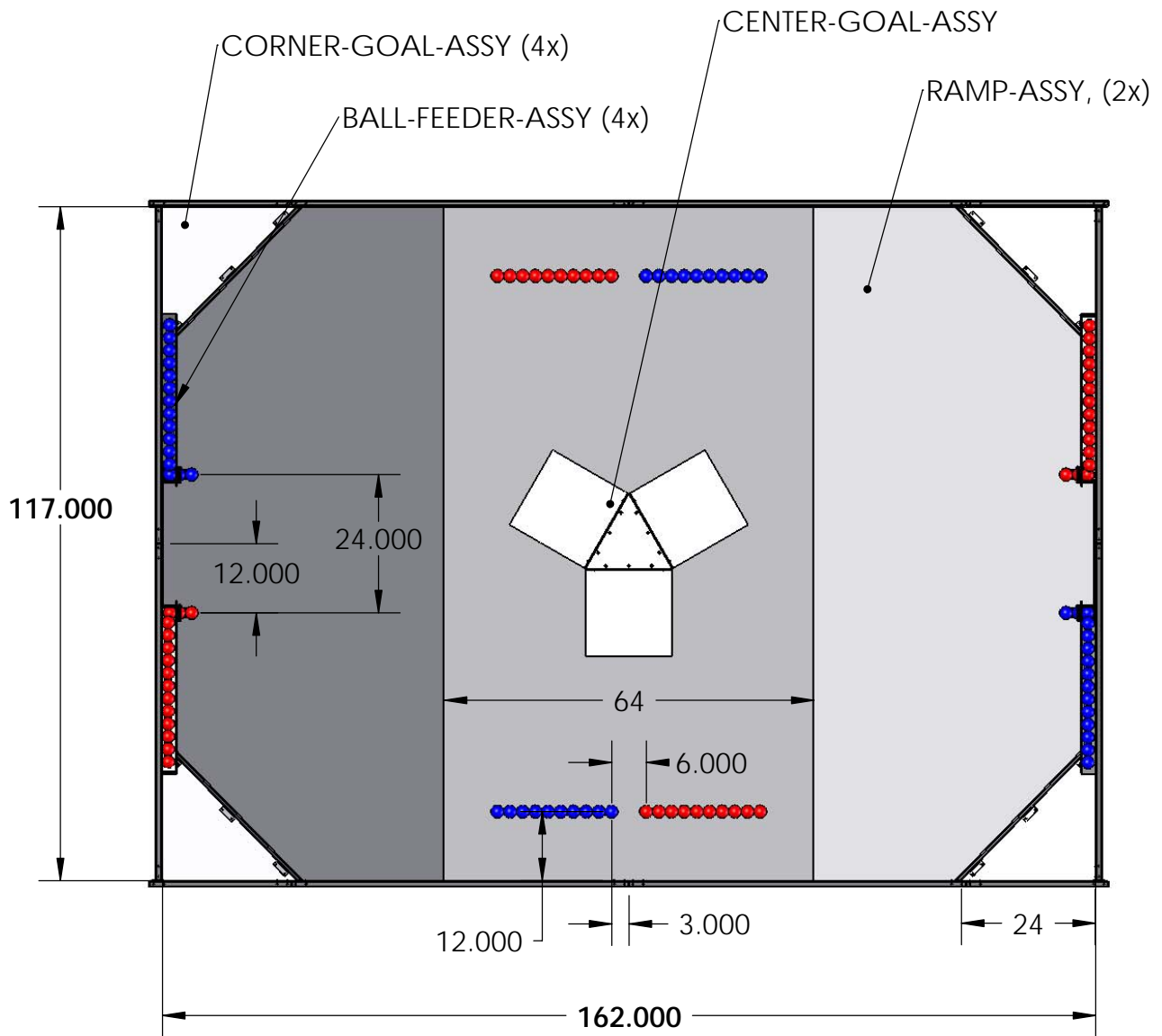
For more detailed information please refer to:

<http://www.vexlabs.com/first/>

This site contains:

- Detailed Component Views
- Full Assembly Views
- Full Field Bill of Materials & Sourcing Information
- Low Cost Alternative Field Options

- Official Field Ordering Options:
 - Purchase Full Field Kit
(Not all components included)
 - Purchase Field Sub-Assemblies
(Not all components included)



RAMP-ASSY is flush against field walls.
 CENTER-GOAL-ASSY is centered in the playingfield, oriented as shown.
 CORNER-GOAL-ASSY is flush against field walls, sitting on RAMP surface
 Each Ball Line contains 10 balls, there are 4 Ball Lines as shown.
 Each BALL-FEEDER-ASSY contains 15 balls, there are 4 BALL-FEEDERs as shown.

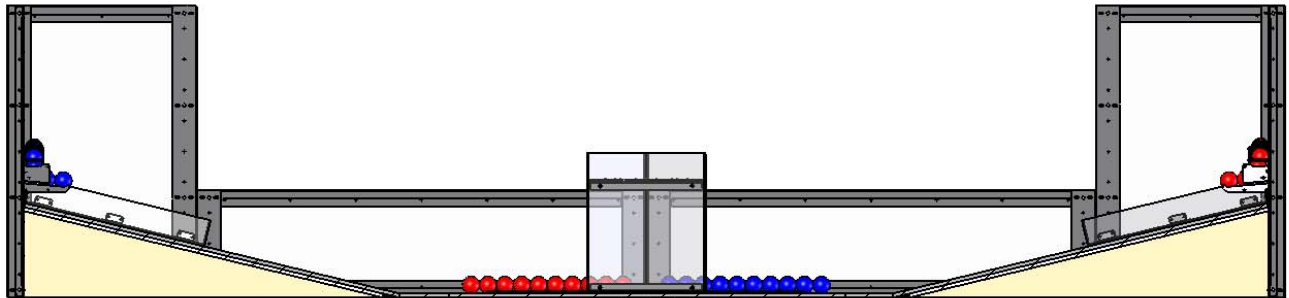
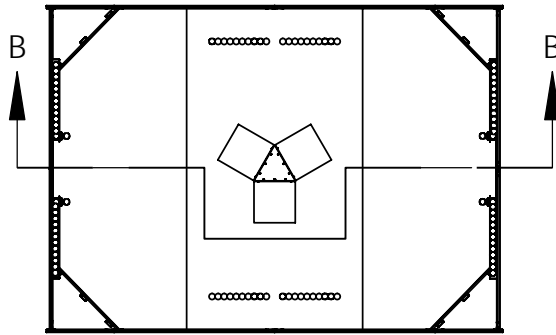
Printed on 10/27/2005 ALL DIMENSIONS ARE IN INCHES.

VexLABS.com

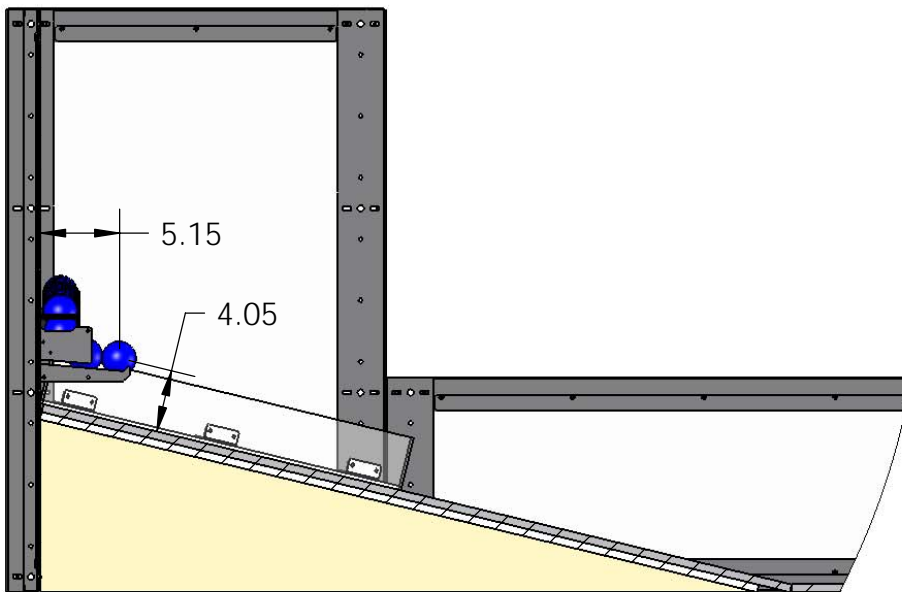
2006 FVC Competition Field

Part Number

FIELD-ASSY-1



SECTION B-B
SCALE 1 : 25



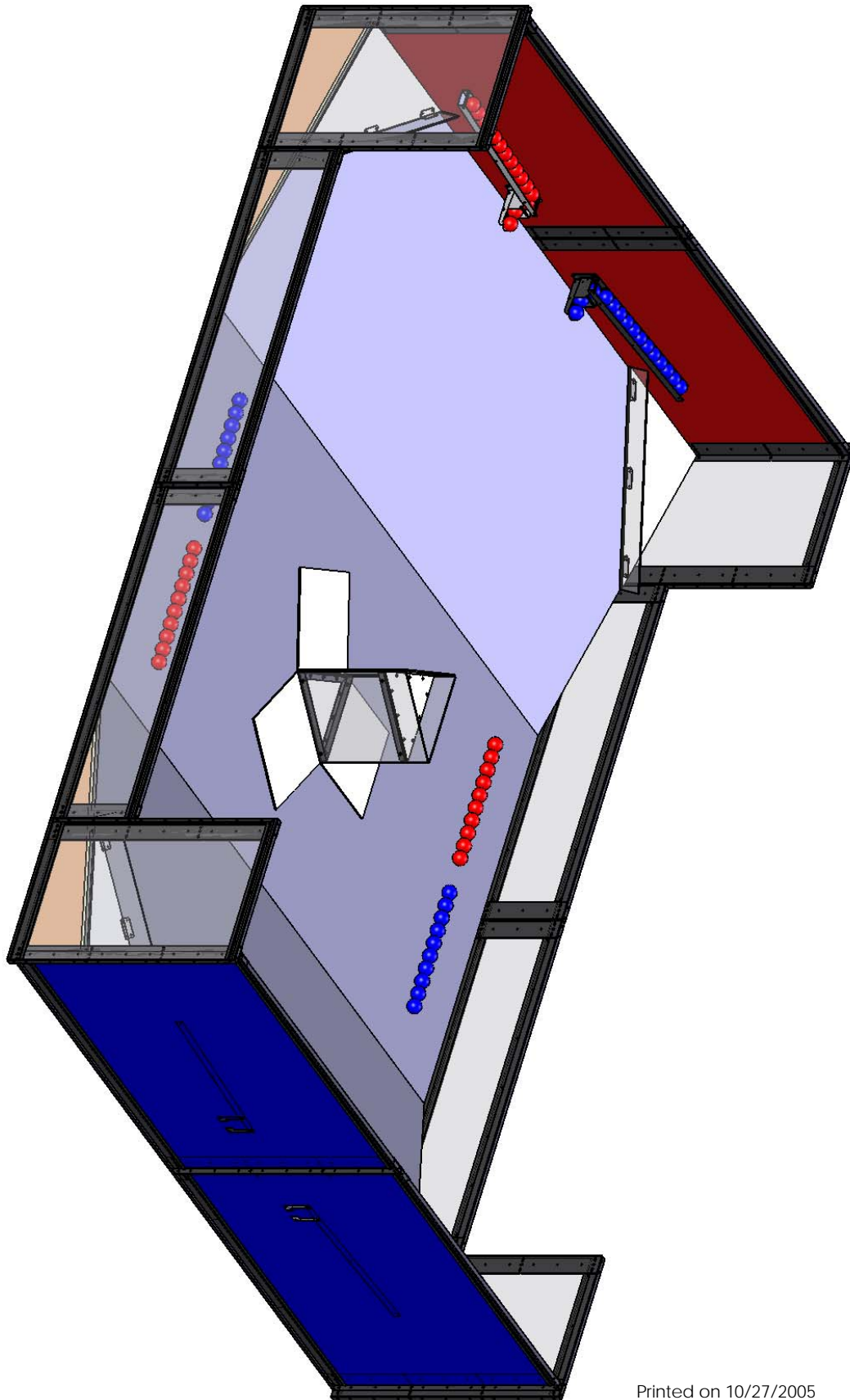
Printed on 10/27/2005 ALL DIMENSIONS ARE IN INCHES.

VexLABS.com

2006 FVC Competition Field

Part Number

FIELD-ASSY-2



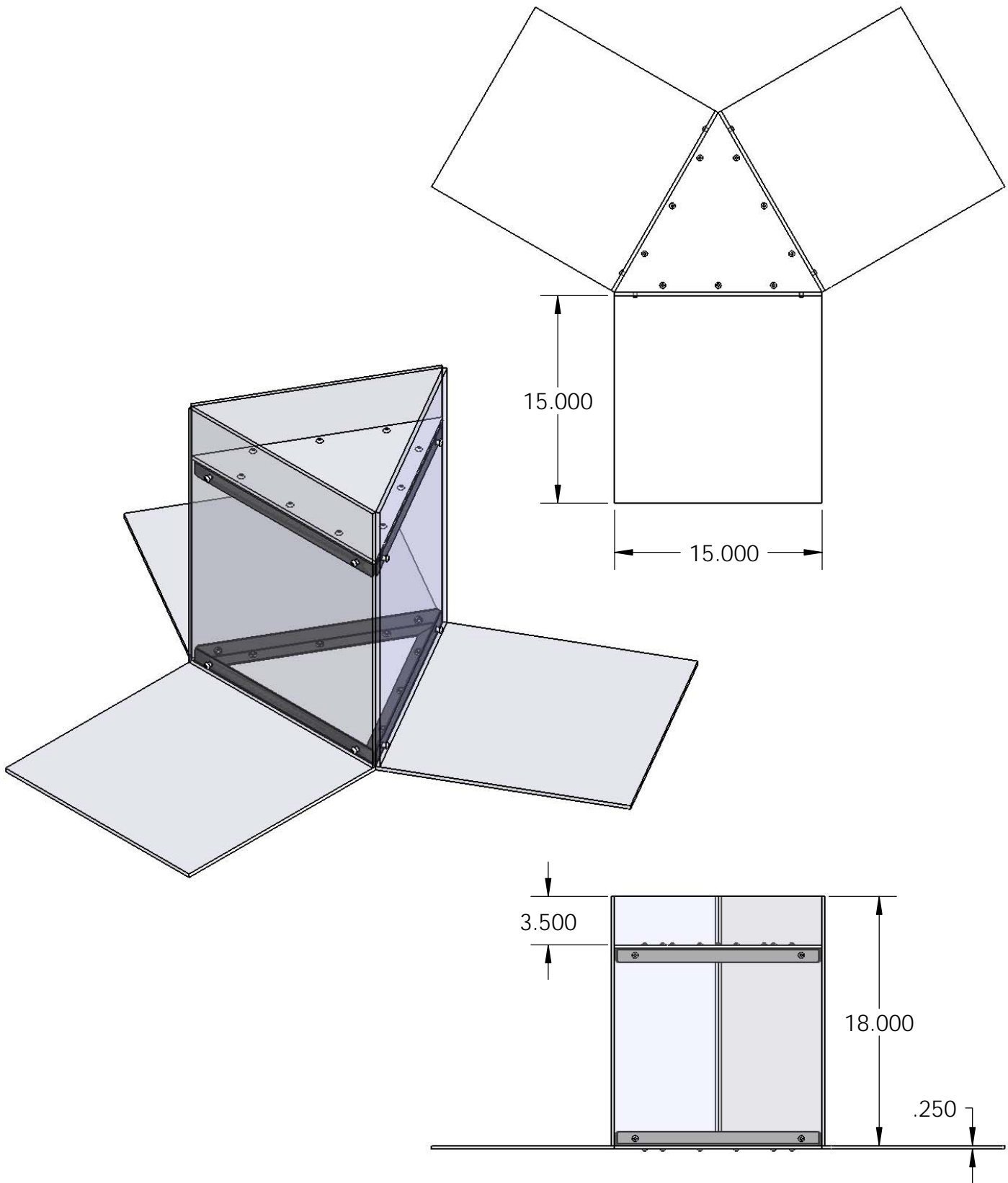
Printed on 10/27/2005 ALL DIMENSIONS ARE IN INCHES.

VexLABS.com

2006 FVC Competition Field

Part Number

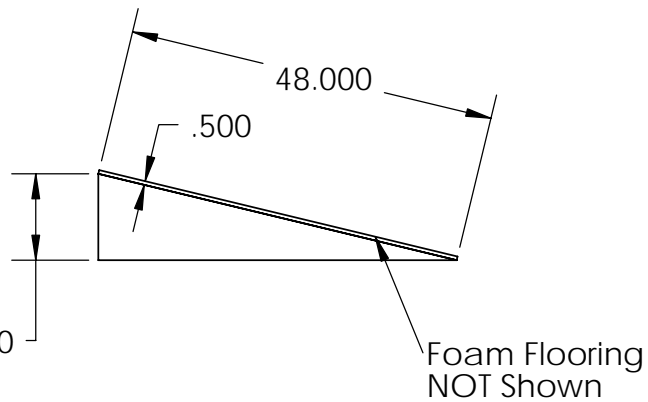
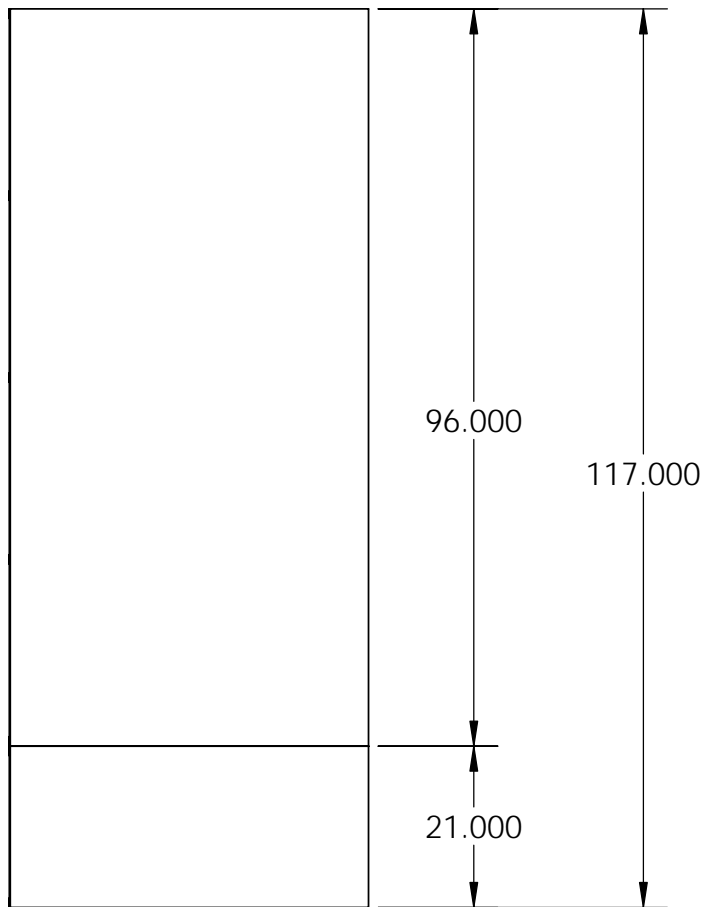
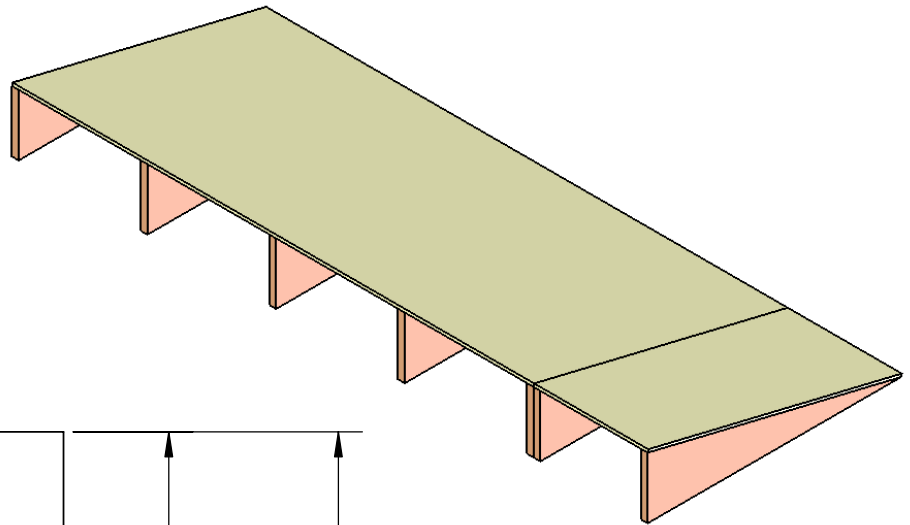
FIELD-ASSY-3



Printed on 10/27/2005 ALL DIMENSIONS ARE IN INCHES.

VexLABS.com
 Center Goal Assembly

Part Number
 CENTER-GOAL-ASSY

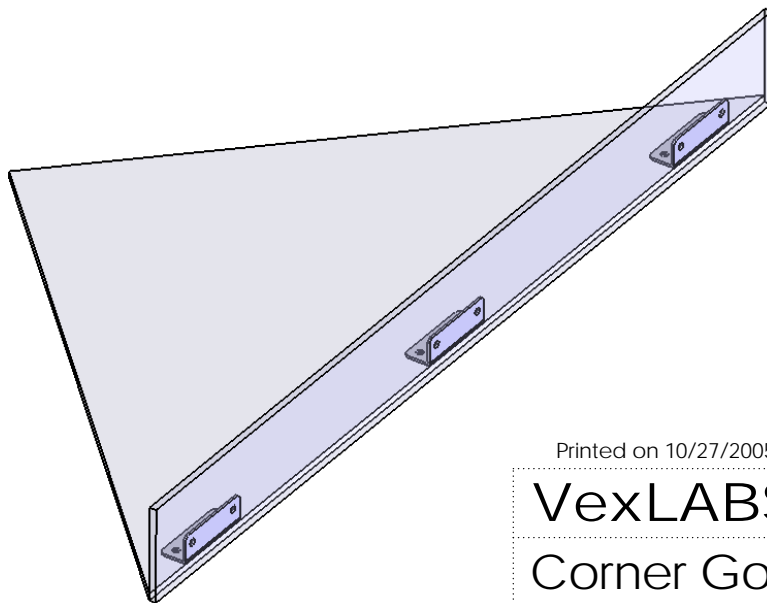
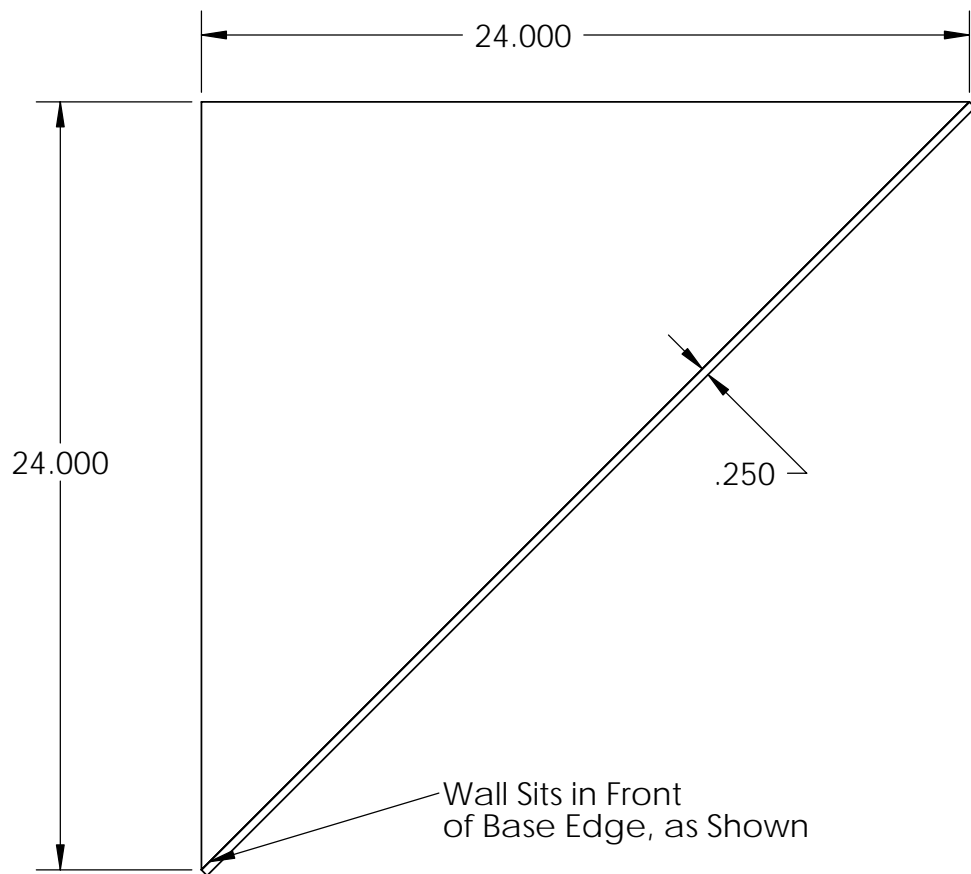
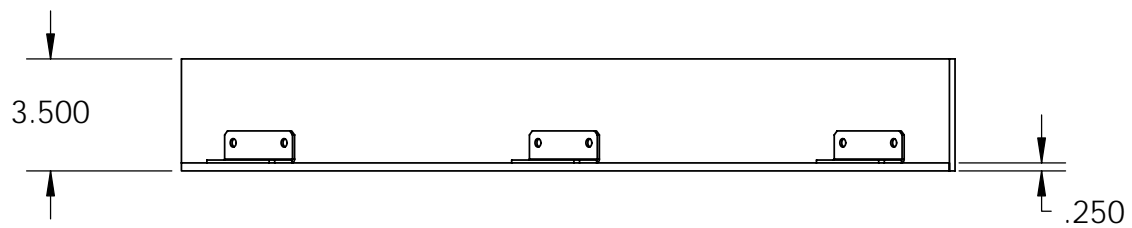


Printed on 10/27/2005 ALL DIMENSIONS ARE IN INCHES.

VexLABS.com

Field Ramp Assembly

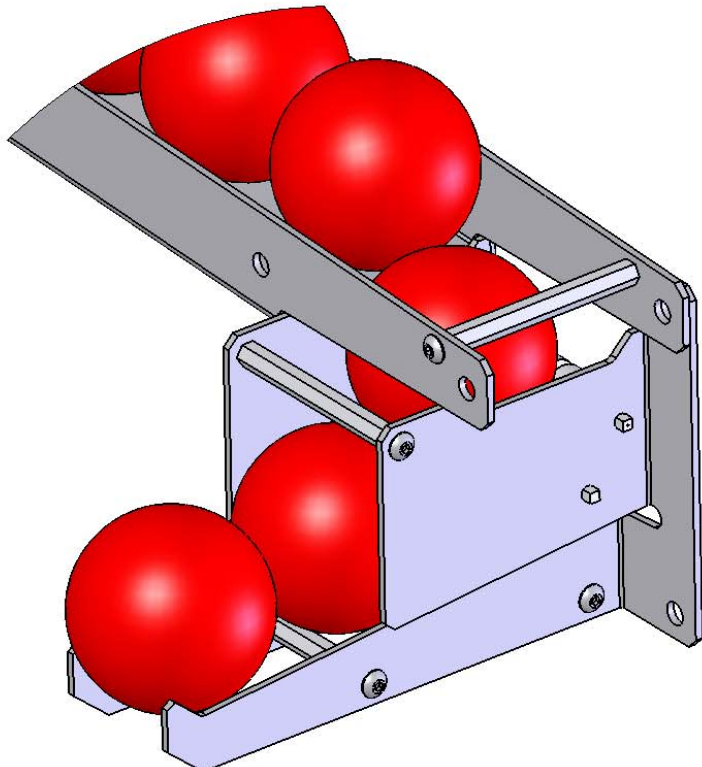
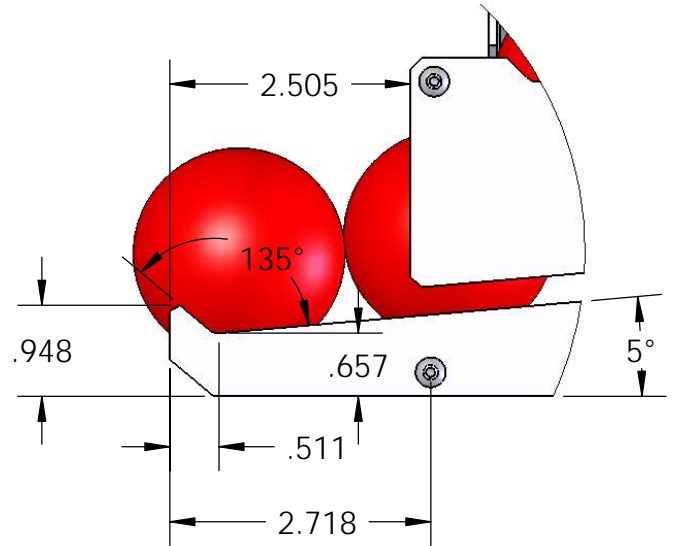
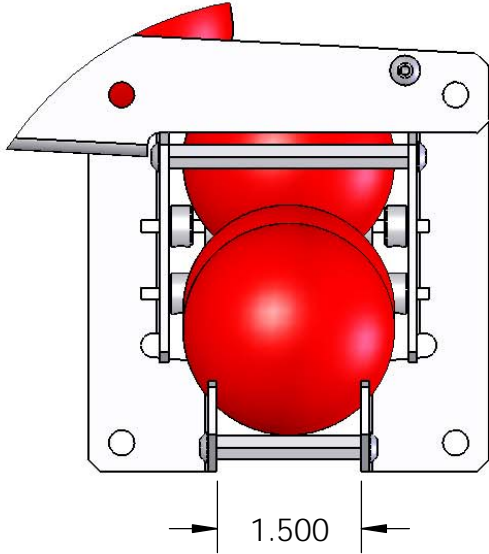
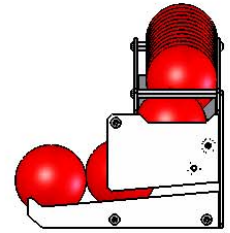
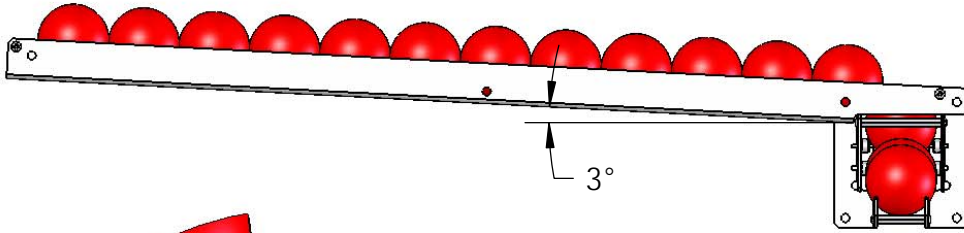
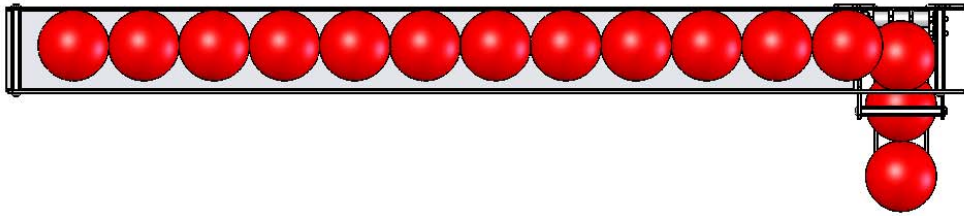
Part Number
RAMP-ASSY



Printed on 10/27/2005 ALL DIMENSIONS ARE IN INCHES.

VexLABS.com
Corner Goal Assembly

Part Number
CORNER-GOAL-ASSY



Printed on 10/27/2005 ALL DIMENSIONS ARE IN INCHES.

VexLABS.com
Ball Feeder Assembly

Part Number
BALL-FEEDER-ASSY